

CS220 (A556)

PARTS CATALOG

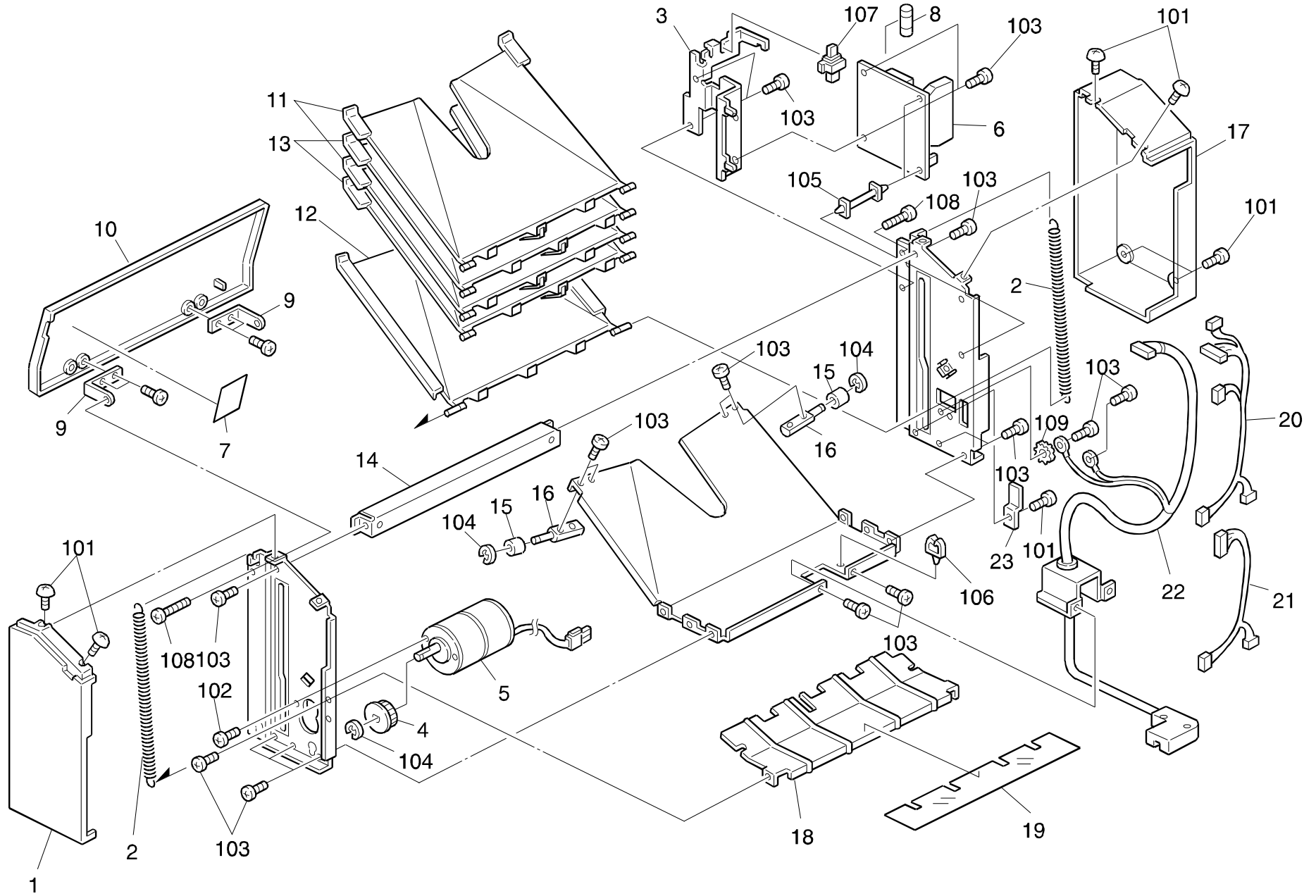
INTRODUCTION

This chapter instructs you the numbers and names of parts on this machine.

INDEX to PARTS CATALOG

1.SORTER UNIT 1 (A556)	2
2.SORTER UNIT 2 (A556)	4
3.DECAL AND DOCUMENT (A556)	6
PARTS INDEX	9

1. SORTER UNIT 1 (A556)



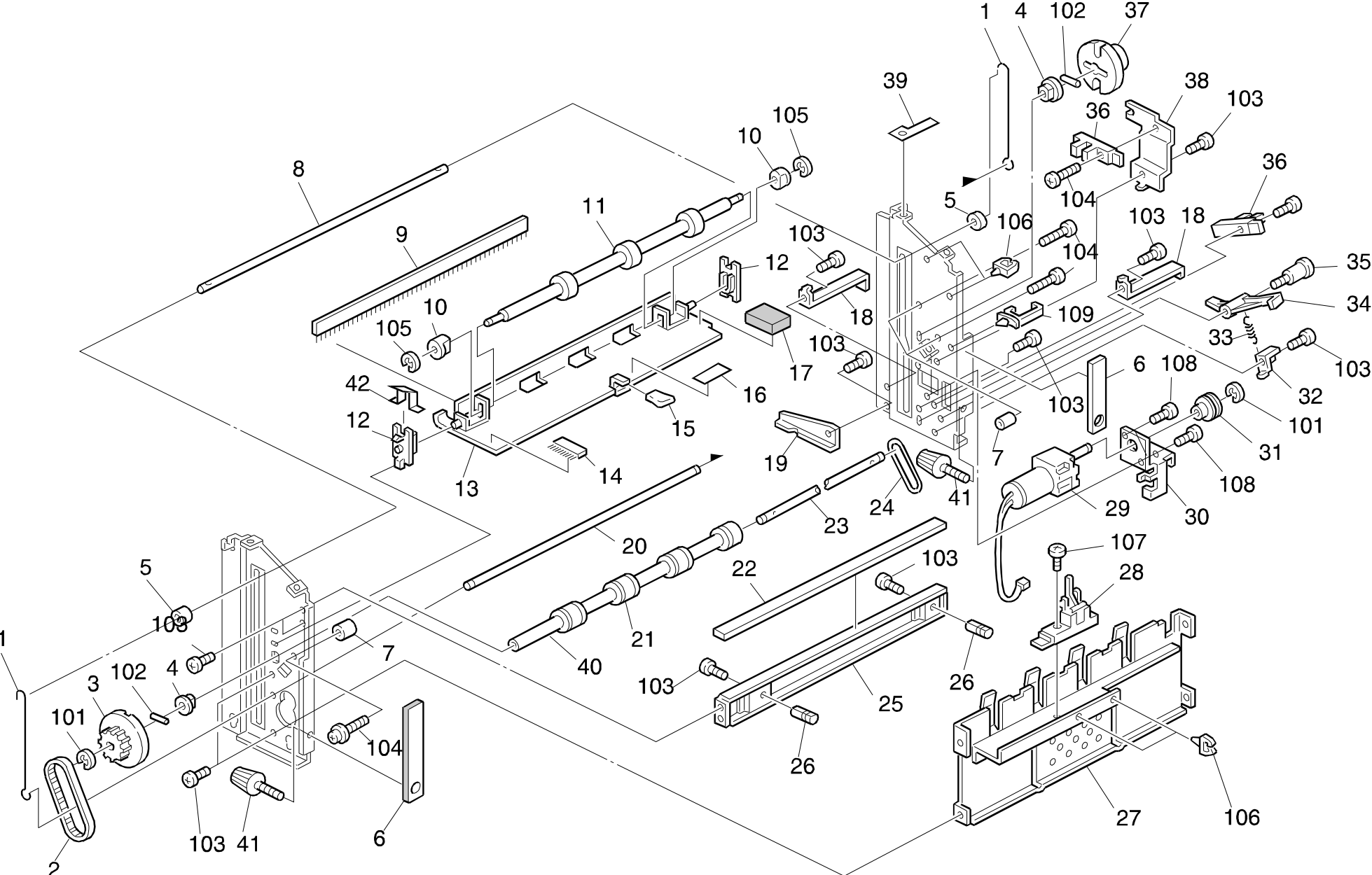
1. SORTER UNIT 1 (A556)

Index No.	Part No.	Description	Q'ty Per Assembly
1	A556 6101	Front Cover	1
2	A423 3311	Left Spring	2
3	A556 1152	Joint Stay	1
4	6769 4153	Timing Pulley - 12T	1
5	A556 4203	Bin Drive Motor	1
6	A556 5100	DC Drive Board	1
7	A556 6501	Decal - Misfeed Removal	1
8	A556 5650	Fuse - 0.63A,250V	1
9	A423 6511	Upper Cover Hinge	2
10	A556 6301	Upper Cover	1
11	A556 3171	Sorter Bin - ODD	10
12	A556 3191	Sorter Bin - Bottom	1
13	A556 3181	Sorter Bin - Even	10
14	A423 1161	Upper Stay	1
15	A423 1144	Base Roller	2
16	A423 1143	Base Shaft	2
17	A556 6201	Rear Cover	1
18	A556 2101	Lower Guide Plate	1
19	A556 7002	Sorter Entrance Guide	1
20	A556 5210	Sensor Harness	1
21	A556 5200	Main Motor Harness	1
22	A556 5305	Interface Harness	1
23	A423 1118	Bin Guide Holder	1



Index No.	Part No.	Description	Q'ty Per Assembly
101	0414 0080B	Tapping Screw - M4x8	
102	0355 0080B	Bind Screw - M5x8	
103	0414 0060B	Tapping Screw - M4x6	
104	0720 0040E	Retaining Ring - M4	
105	1104 0391	PCB Stud	
106	1105 0229	Clamp	
107	1204 2379	Micro Switch - CS2A-B2BA	
108	0414 0120B	Tapping Bind Screw - M4x12	

2. SORTER UNIT 2 (A556)



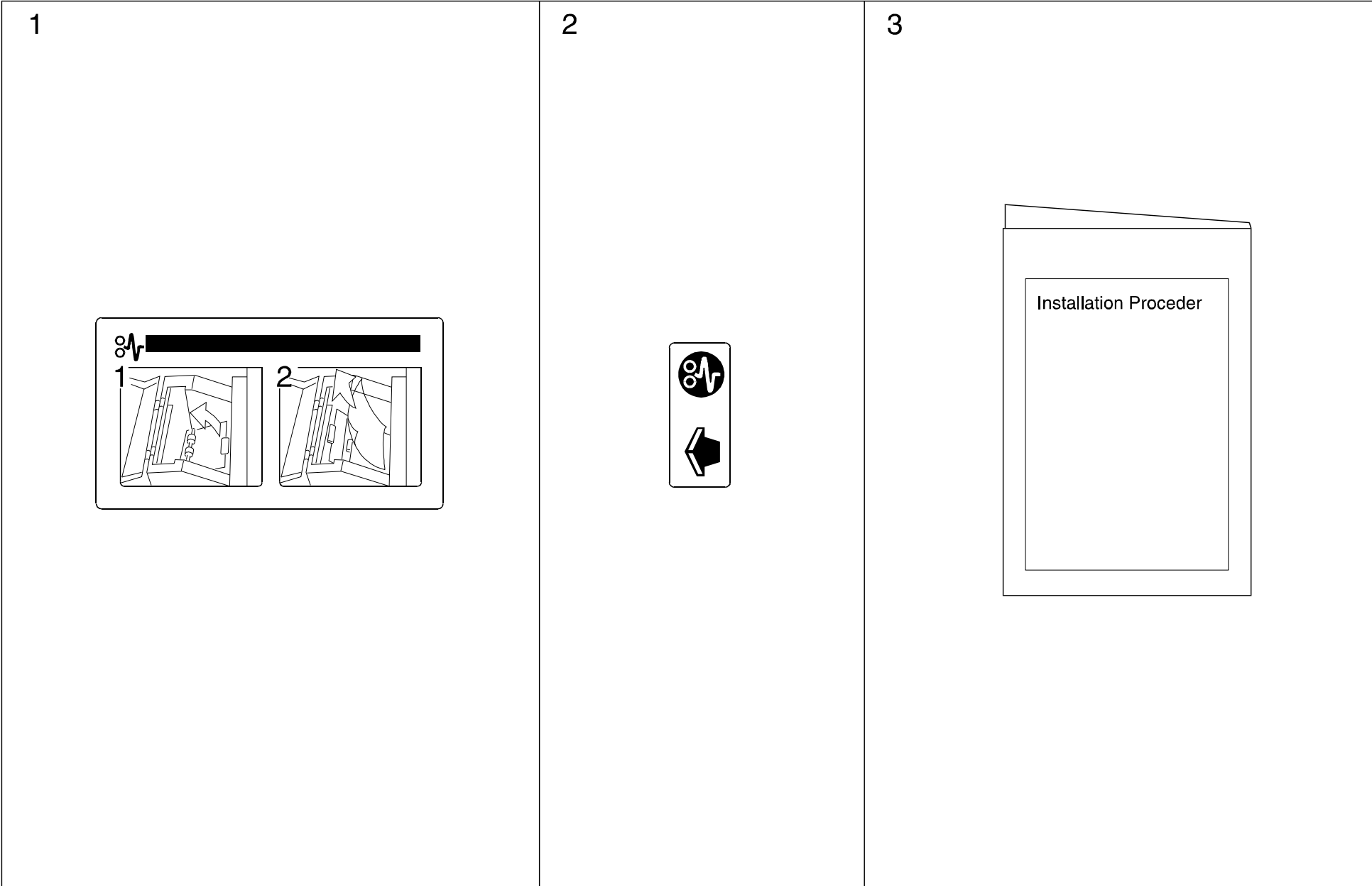
2. SORTER UNIT 2 (A556)

Index No.	Part No.	Description	Q'ty Per Assembly
1	A423 3517	Bin Support Wire	2
2	A556 4211	Timing Belt - 88x1037	1
3	A556 2162	Front Transfer Wheel	1
4	5053 0447	Bushing - 6mm	2
5	A556 3153	Bin Holder Roller	2
6	A556 1161	Cushion	2
7	6803 2261	Dumper - Upper Guide Plate	3
8	A556 3152	Bin Holder Shaft	1
9	AA12 1001	Antistatic Brush	1
10	6803 2231	Bushing - 4x6x5mm	2
11	6803 2241	Upper Exit Roller	1
12	6803 2221	Guide - Upper Guide Plate	2
13	A556 2126	Upper Guide Plate	1
14	A556 2151	Antistatic Brush	1
15	A423 2531	Guide Plate Knob	1
16	A414 6521	Decal - Guide Plate	1
17	A556 2141	Upper Guide Plate Sponge	1
18	6769 5655	Angle - Cord Clamp (70)	2
19	A423 1145	Receive Plate	1
20	6803 3316	Lift Bar	1
21	6803 2415	Drive Pulley	1
22	6769 1128	Mounting Stay Magnet	1
23	6803 3331	Transfer Wheel Shaft	1
24	6803 4316	O Ring	1
25	A556 1152	Joint Stay	1
26	6803 1161	Upper Mounting Stud	2
27	A423 2311	Guide Plate	1
28	6803 5430	Paper Exit Sensor	1
29	A556 5410	Transport Drive Motor - DC24V 2.6W	1
30	6803 4411	Bracket - Paper Exit Motor	1
31	A423 4216	Pulley	1
32	6803 3414	Lever Stopper	1
33	6803 3413	Lever Spring	1
34	6803 3411	Lever - Home Position Sensor	1
35	6803 3412	Stepped Screw - M4	1



Index No.	Part No.	Description	Q'ty Per Assembly
36	5205 5250	Led Sensor Type s	2
37	A556 2161	Rear Transfer Wheel	1
38	A556 3111	Sensor Bracket	1
39	A423 4434	Switch Sheet	1
40	6803 2410	Lower Exit Roller	1
41	A556 7101	Knob Screw	2
42	A414 2311	Spring Plate - Guide Stopper	1
101	0720 0040E	Retaining Ring - M4	
102	0632 0140G	Parallel Pin	
103	0414 0060B	Tapping Screw - M4x6	
104	0414 0120B	Tapping Bind Screw - M4x12	
105	0720 0030E	Retaining Ring - M3	
106	1105 0229	Clamp	
107	0413 0120B	Tapping Bind Screw - M3x12	
108	0802 5233	Tapping Screw - M3x10	
109	0703 0040B	Philips Washer - M4	
109	1105 0291	Wire Saddle	

3. DECAL AND DOCUMENT (A556)



3. DECAL AND DOCUMENT (A556)

Index No.	Part No.	Description	Q'ty Per Assembly
1	A556 6501	Decal - Misfeed Removal	1
2	A414 6521	Decal - Guide Plate	1
3	A556 8610	Installation Procedure	1

Index No.	Part No.	Description	Q'ty Per Assembly

PARTS INDEX

Part No.	Description	Page and Index No.
A556 1152	Joint Stay	3- 3
A556 1152	Joint Stay	5- 25
A556 1161	Cushion	5- 6
A556 2101	Lower Guide Plate	3- 18
A556 2126	Upper Guide Plate	5- 13
A556 2141	Upper Guide Plate Sponge	5- 17
A556 2151	Antistatic Brush	5- 14
A556 2161	Rear Transfer Wheel	5- 37
A556 2162	Front Transfer Wheel	5- 3
A556 3111	Sensor Bracket	5- 38
A556 3152	Bin Holder Shaft	5- 8
A556 3153	Bin Holder Roller	5- 5
A556 3171	Sorter Bin - ODD	3- 11
A556 3181	Sorter Bin - Even	3- 13
A556 3191	Sorter Bin - Bottom	3- 12
A556 4203	Bin Drive Motor	3- 5
A556 4211	Timing Belt - 88xl037	5- 2
A556 5100	DC Drive Board	3- 6
A556 5200	Main Motor Harness	3- 21
A556 5210	Sensor Harness	3- 20
A556 5305	Interface Harness	3- 22
A556 5410	Transport Drive Motor - DC24V 2.6W	5- 29
A556 5650	Fuse - 0.63A,250V	3- 8
A556 6101	Front Cover	3- 1
A556 6201	Rear Cover	3- 17
A556 6301	Upper Cover	3- 10
A556 6501	Decal - Misfeed Removal	3- 7
A556 6501	Decal - Misfeed Removal	7- 1
A556 7002	Sorter Entrance Guide	3- 19
A556 7101	Knob Screw	5- 41
A556 8610	Installation Procedure	7- 3

Part No.	Description	Page and Index No
AA12 1001	Antistatic Brush	5- 9

Part No.	Description	Page and Index No.
A414 2311	Spring Plate - Guide Stopper	5- 42
A414 6521	Decal - Guide Plate	5- 16
A414 6521	Decal - Guide Plate	7- 2
A423 1118	Bin Guide Holder	3- 23
A423 1143	Base Shaft	3- 16
A423 1144	Base Roller	3- 15
A423 1145	Receive Plate	5- 19
A423 1161	Upper Stay	3- 14
A423 2311	Guide Plate	5- 27
A423 2531	Guide Plate Knob	5- 15
A423 3311	Left Spring	3- 2
A423 3517	Bin Support Wire	5- 1
A423 4216	Pulley	5- 31
A423 4434	Switch Sheet	5- 39
A423 6511	Upper Cover Hinge	3- 9
5053 0447	Bushing - 6mm	5- 4
5205 5250	Led Sensor Type s	5- 36
6769 1128	Mounting Stay Magnet	5- 22
6769 4153	Timing Pulley - 12T	3- 4
6769 5655	Angle - Cord Clamp (70)	5- 18
6803 1161	Upper Mounting Stud	5- 26
6803 2221	Guide - Upper Guide Plate	5- 12
6803 2231	Bushing - 4x6x5mm	5- 10
6803 2241	Upper Exit Roller	5- 11
6803 2261	Dumper - Upper Guide Plate	5- 7
6803 2410	Lower Exit Roller	5- 40
6803 2415	Drive Pulley	5- 21
6803 3316	Lift Bar	5- 20
6803 3331	Transfer Wheel Shaft	5- 23
6803 3411	Lever - Home Position Sensor	5- 34
6803 3412	Stepped Screw - M4	5- 35
6803 3413	Lever Spring	5- 33
6803 3414	Lever Stopper	5- 32
6803 4316	O Ring	5- 24
6803 4411	Bracket - Paper Exit Motor	5- 30

Part No.	Description	Page and Index No
6803 5430	Paper Exit Sensor	5- 28

Part No.	Description	Page and Index No.
0355 0080B	Bind Screw - M5x8	3-102
0413 0120B	Tapping Bind Screw - M3x12	5-107
0414 0060B	Tapping Screw - M4x6	3-103
0414 0060B	Tapping Screw - M4x6	5-103
0414 0080B	Tapping Screw - M4x8	3-101
0414 0120B	Tapping Bind Screw - M4x12	3-108
0414 0120B	Tapping Bind Screw - M4x12	5-104
0632 0140G	Parallel Pin	5-102
0703 0040B	Philips Washer - M4	5-109
0720 0030E	Retaining Ring - M3	5-105
0720 0040E	Retaining Ring - M4	3-104
0720 0040E	Retaining Ring - M4	5-101
0802 5233	Tapping Screw - M3x10	5-108
1104 0391	PCB Stud	3-105
1105 0229	Clamp	3-106
1105 0229	Clamp	5-106
1105 0291	Wire Saddle	5-109
1204 2379	Micro Switch - CS2A-B2BA	3-107

Part No.	Description	Page and Index No